

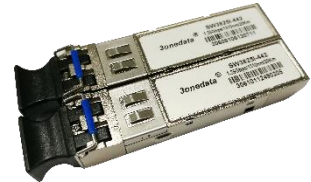
## SW(B)X825I-X42 Series

## 1-port Gigabit Ethernet SFP modules

### Industrial 1.25Gb/s SFP Optical Transceiver Module

### Features

- Support IEEE802.3ae, SFF-8431 Standard
- Transmission rate is 1.25Gb/s
- Hot pluggable LC duplex connector
- Working voltage is 3.3V
- RoHS compliant
- Working temperature -40~85°C



### Specification

#### Interface

Connectors: Duplex LC Connector

#### Mechanical Structure

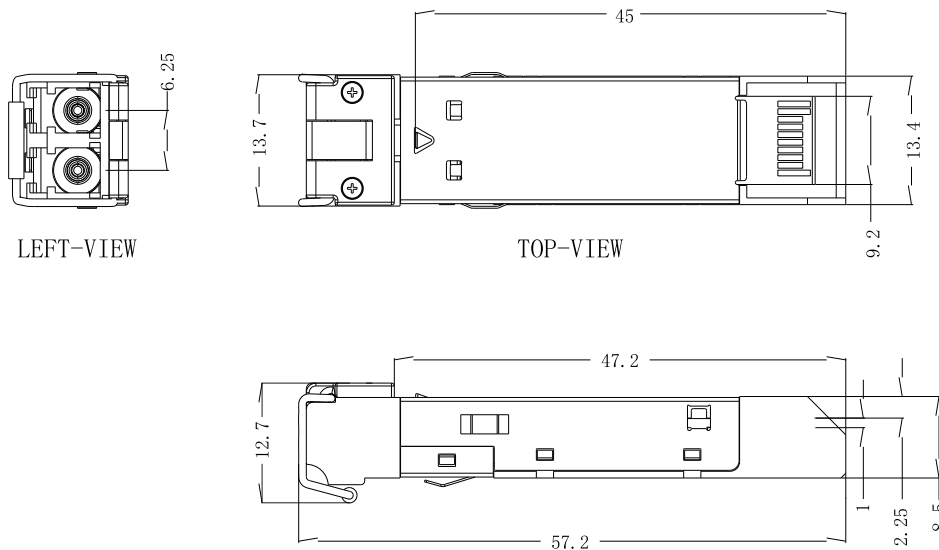
Size (W×H×D): 13.7mm×12.7mm×57.2mm

#### Certification

CE、FDA、C-TICK

Warranty: 1 years

### Dimension (Unit: mm)



### Ordering Information

Model	Type	Rate	Wavelength (nm)	Distance (km)	TX Power (dbm)	RX Sens (dbm)	Voltage (V)	Connector	Signal
SW2825I-142	MM	1.25Gb/s	850	0.55	-9.5~-2.5	-17	3.3	LC	LVPECL

<b>SW2825I-242</b>	MM	1.25Gb/s	1310	2	-9~-3	-20	3.3	LC	LVPECL
<b>SW3825I-342</b>	SM	1.25Gb/s	1310	10	-9 ~ -3	-21	3.3	LC	LVPECL
<b>SW3825I-442</b>	SM	1.25Gb/s	1310	20	-6 ~ -1	-21	3.3	LC	LVPECL
<b>SW3825I-542</b>	SM	1.25Gb/s	1310	40	-2 ~ 3	-24	3.3	LC	LVPECL
<b>SW4825I-542</b>	SM	1.25Gb/s	1550	40	-1 ~ 7	-24	3.3	LC	LVPECL
<b>SW4825I-742</b>	SM	1.25Gb/s	1550	80	-3 ~ 2	-26	3.3	LC	LVPECL
<b>SW4825I-942</b>	SM	1.25Gb/s	1550	120	0 ~ 5	-31	3.3	LC	LVPECL
<b>SWB3825I-442</b>	SS	1.25Gb/s	TX1310/RX1550	20	-9 ~ -1	-23	3.3	LC	LVPECL
<b>SWB4825I-442</b>	SS	1.25Gb/s	TX1550/RX1310	20	-9 ~ -1	-23	3.3	LC	LVPECL
<b>SWB5825I-542</b>	SS	1.25Gb/s	TX1490/RX1550	40	-7 ~ -1	-24	3.3	LC	LVPECL
<b>SWB4825I-542</b>	SS	1.25Gb/s	TX1550/RX1490	40	-7 ~ -1	-24	3.3	LC	LVPECL
<b>SWB5825I-642</b>	SS	1.25Gb/s	TX1490/RX1550	60	-5~ 0	-24	3.3	LC	LVPECL
<b>SWB4825I-642</b>	SS	1.25Gb/s	TX1550/RX1490	60	-5 ~ 0	-24	3.3	LC	LVPECL
<b>SWB5825I-742</b>	SS	1.25Gb/s	TX1490/RX1550	80	-3 ~ 2	-26	3.3	LC	LVPECL
<b>SWB4825I-742</b>	SS	1.25Gb/s	TX1550/RX1490	80	-3 ~ 2	-26	3.3	LC	LVPECL